



CrownWall™

Electrical Outlet/Switch Panel Installation

Before installing the Crownwall™ system around a wall switch plate or power outlet, there are a few important considerations to be made in order to achieve the best final result. This guide will help you understand them.



Tools To Cut Panels



Oscillating Saw



Jigsaw

WARNING

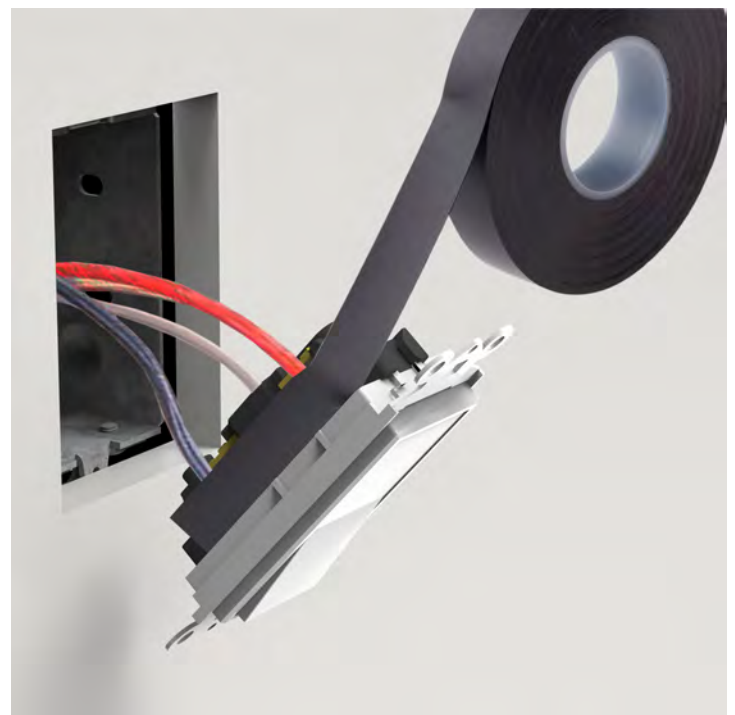
BEFORE BEGINNING ANY WORK IN OR AROUND AN ELECTRICAL OUTLET, ENSURE THAT ALL POWER TO THE OUTLET HAS BEEN DISABLED.

Step 1 Before Installation

Before beginning any work in or around a power outlet, ensure that the power to that outlet has been disabled.

Disassemble the receptacle unit, removing the face plate and switch or power plug from the wall.

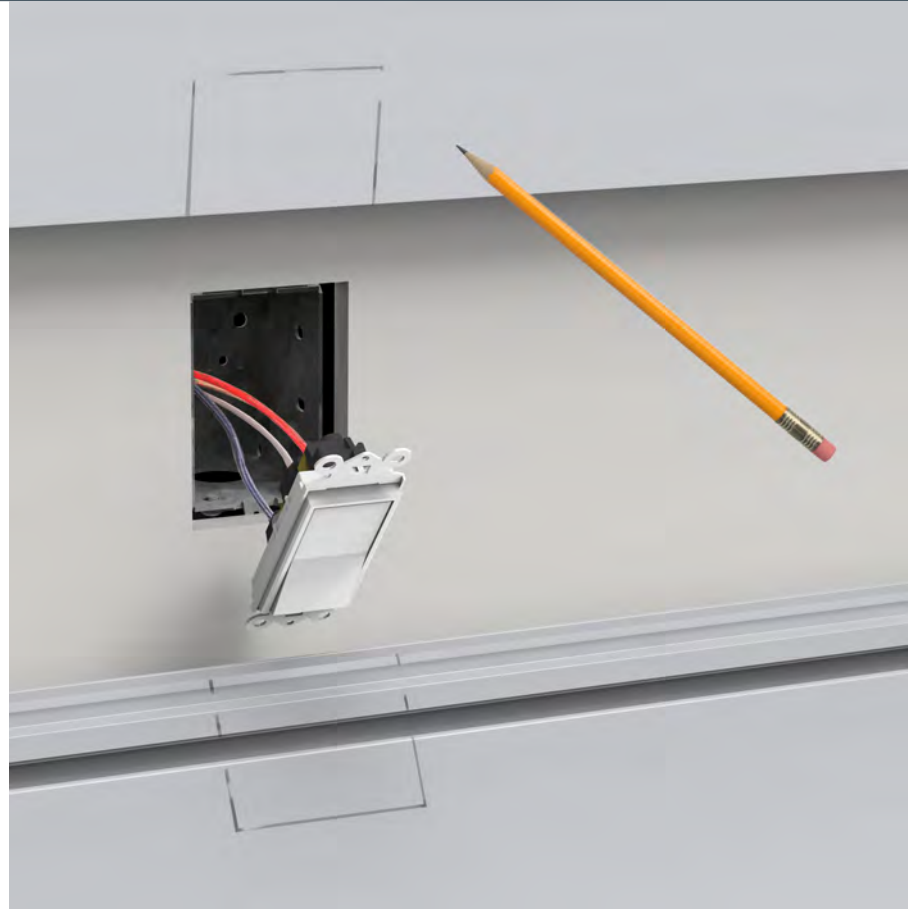
Wrap the switch unit with electrical tape as seen below, so as to secure the wire connections during reassembly later on in the process



Step 2 Panel Installation

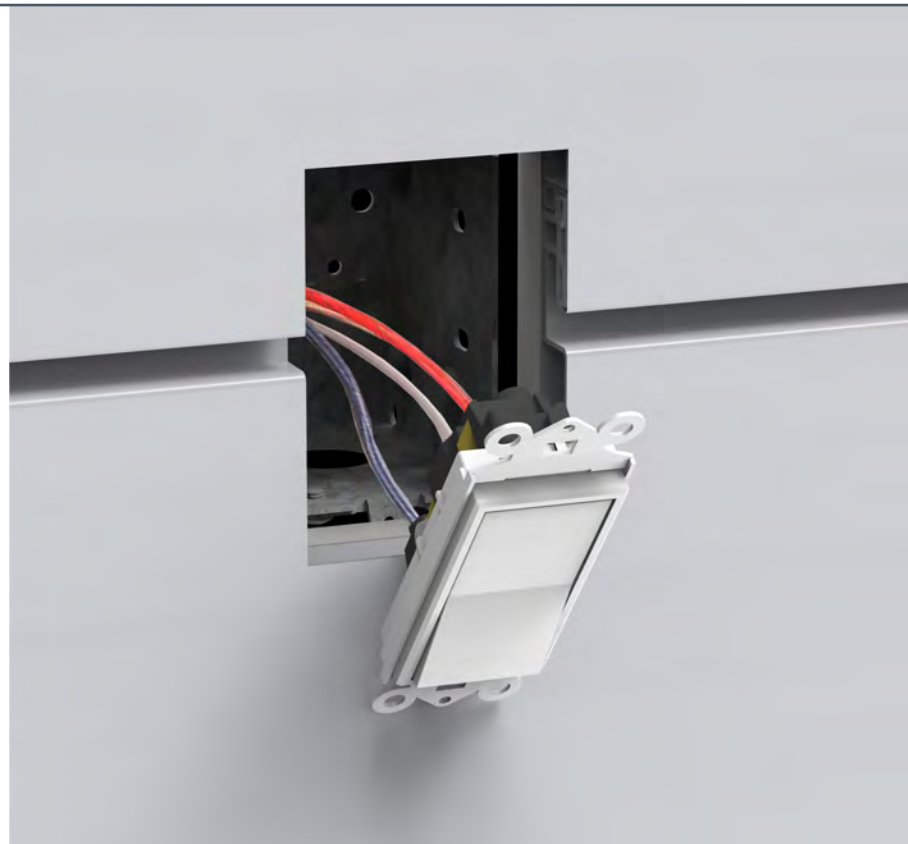
Install panels on the wall as per normal procedure.

Once the electrical outlet/switch opening has been reached, measure and mark the area over the receptacle opening. This area will be cut out.



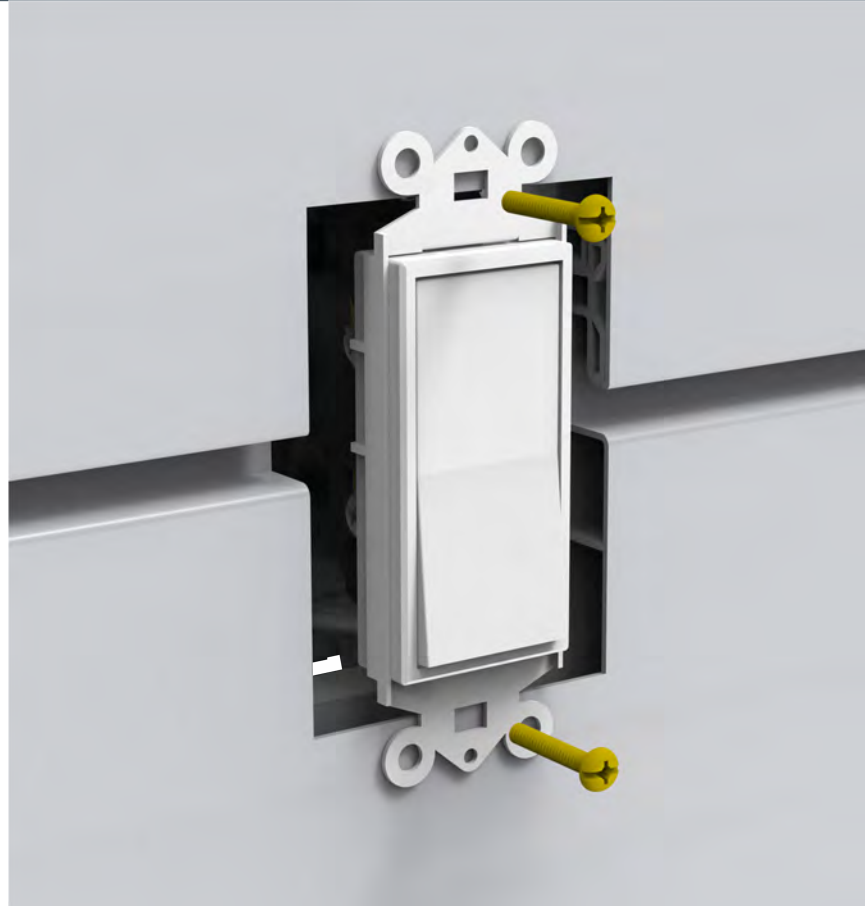
Step 3 Cutting

Cut out the marked panel sections with an oscillating saw or jigsaw. Install the panels around the electrical outlet/switch opening.



Step 4 Reassembly

When reassembling the switch unit, ensure to use screws that are a proper longer length, as the switch and switch plate are now further forward than before panel installation.



Step 5 Reassembly

With the switch or power unit reinstalled with proper length screws, mount the face plate.

The panel installation around the electrical outlet/switch is now finished.

