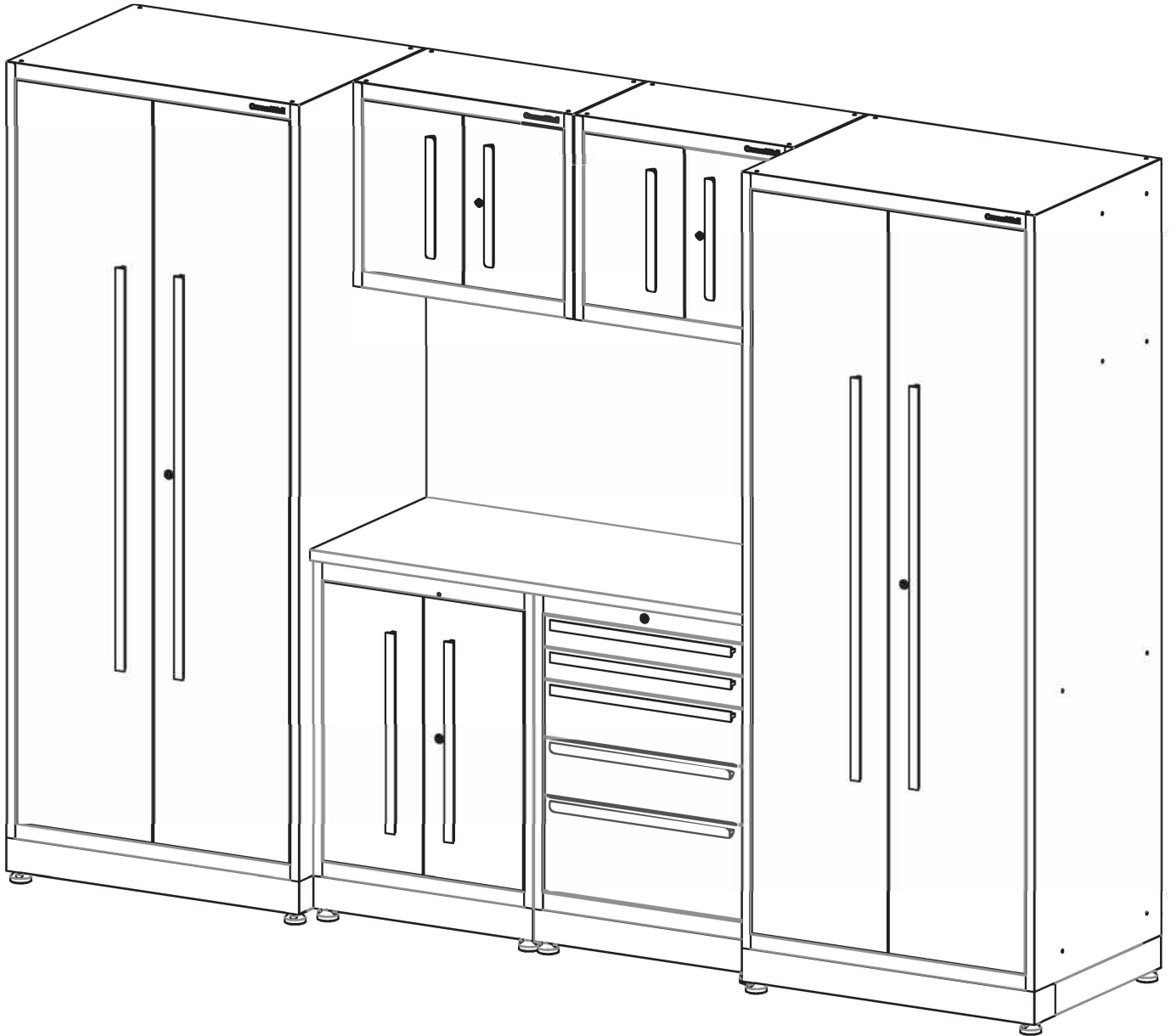




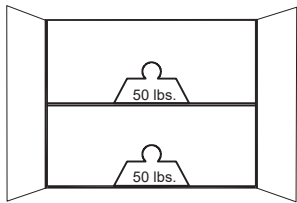
CrownWall™

PRO SERIES MODEL#

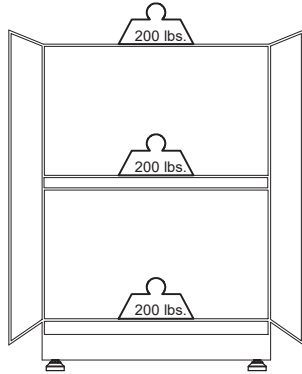
CW-PA,CW-PB,CW-PKG-WC,CW-
PKG-2D,CW-72WSSS,CW-48WSSS



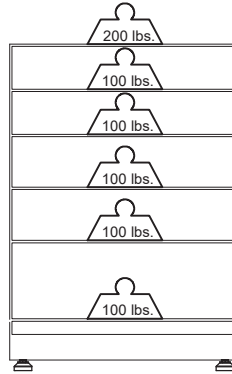
Weight Capacity



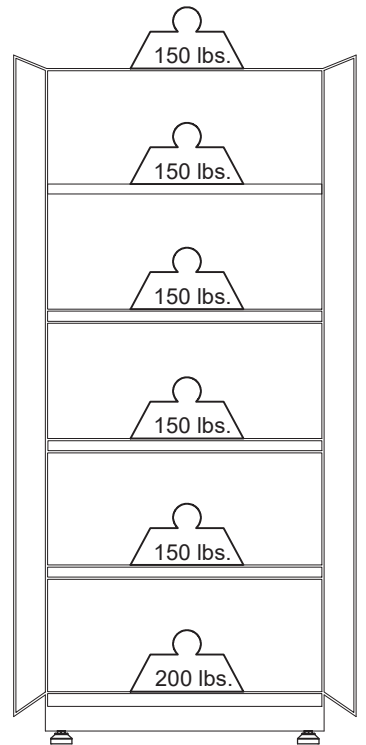
Wall Cabinets
Max 100 lbs.



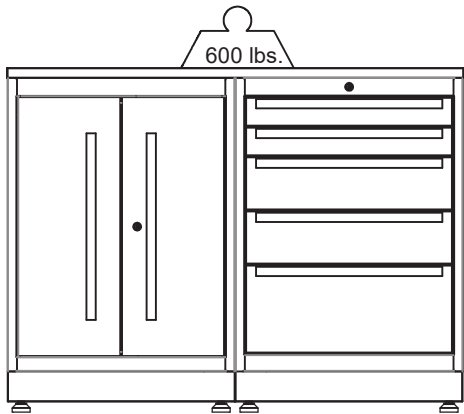
Base Cabinets
Max 600 lbs.



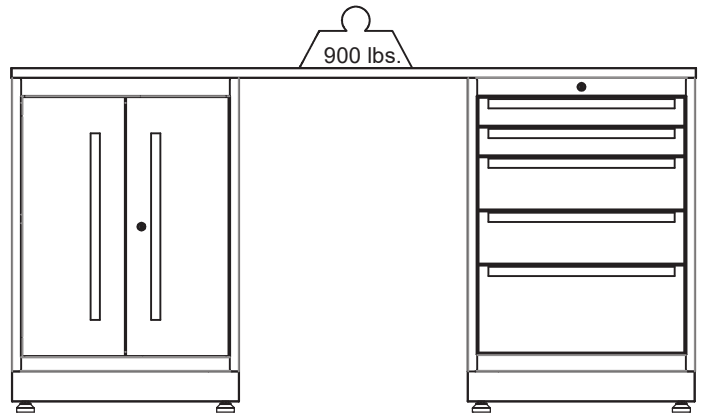
Tools Cabinets
Max 700 lbs.



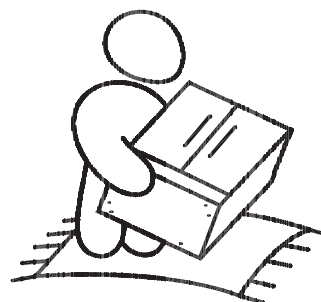
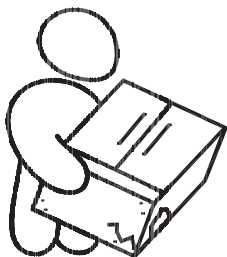
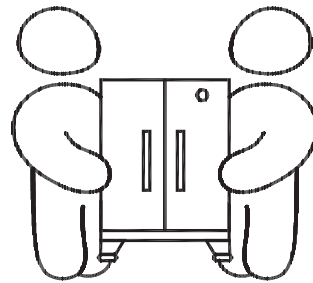
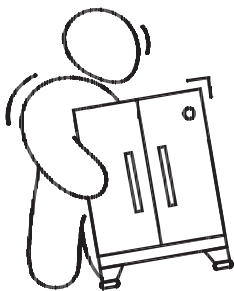
Tall Cabinets
Max 950 lbs.



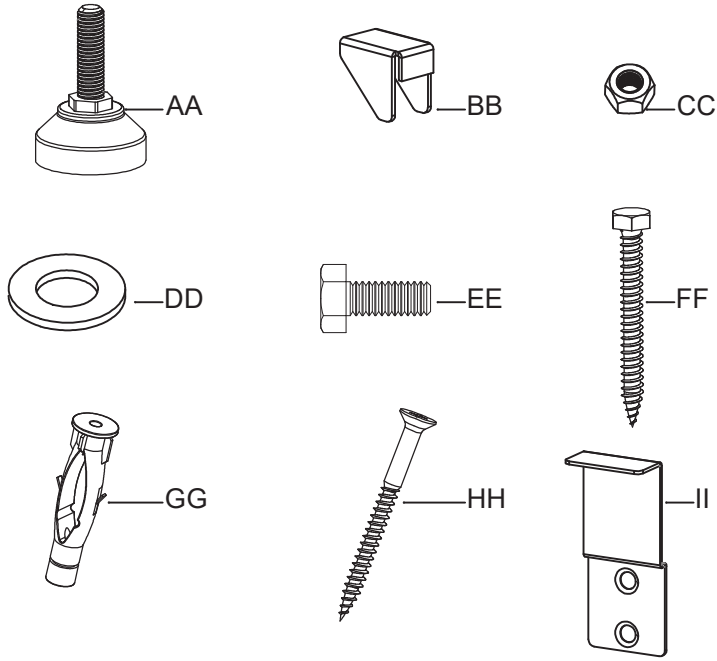
48 " Worksurface
Max 600lbs.



72 " Worksurface
Max 900lbs.

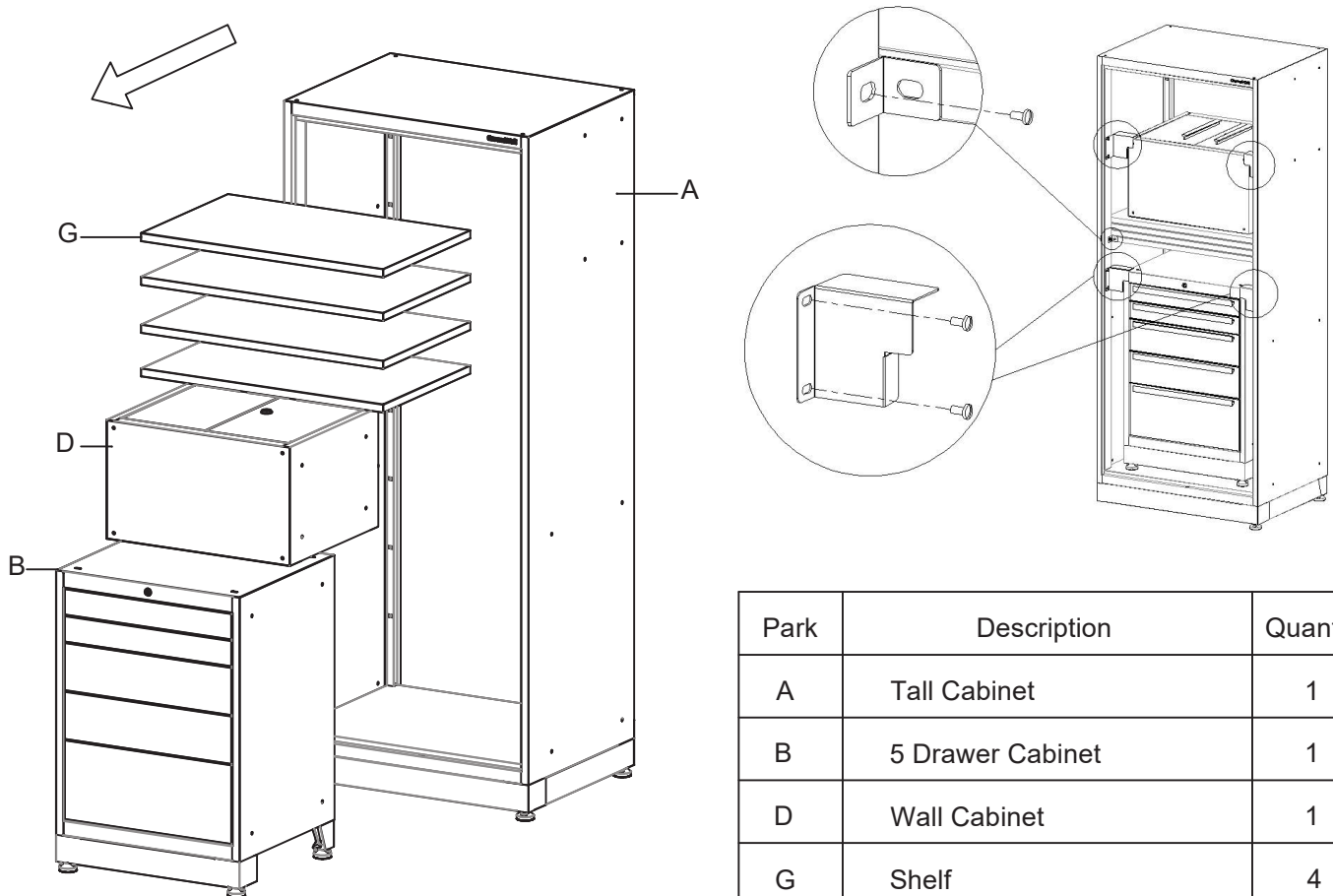


Hardware Included



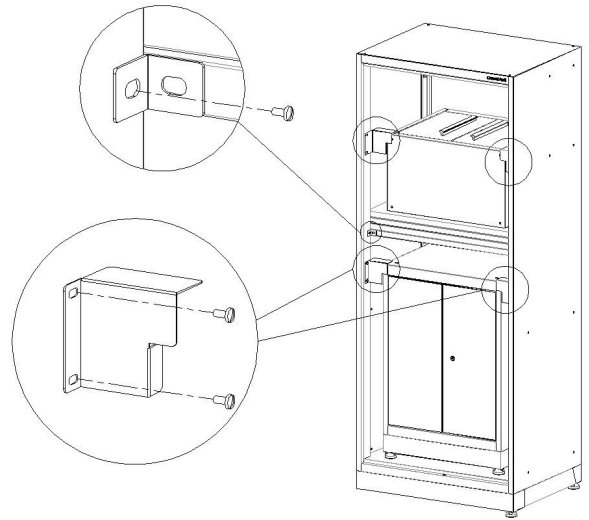
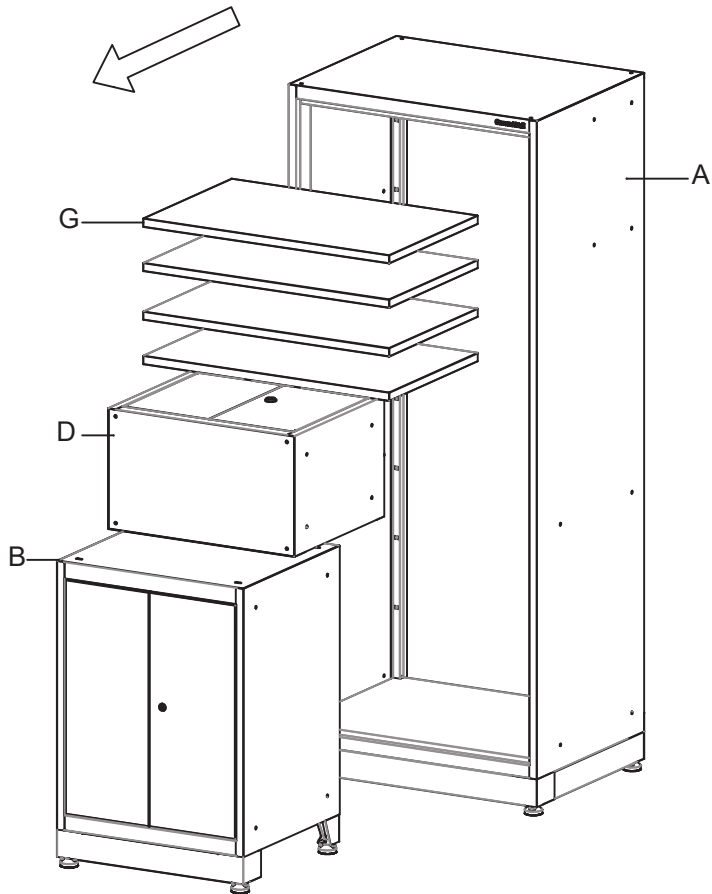
Park	Description	Quantity
AA	Leveling Foot	8
BB	Shelf Clips	16
CC	Nut (1/4")	8
DD	Washer (1/4")	10
EE	Hex Bolt (1/4" x 5/8")	8
FF	Wall Screw (1/4"x2.5")	2
GG	Plastic Anchor	4
HH	Drywall Screw(5/32"x2.3")	4
II	Wall Cabinet Bracket	2

3PCS-5 Drawer Cabinet Package Contents



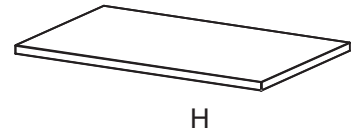
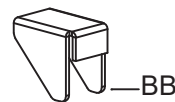
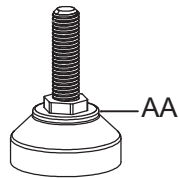
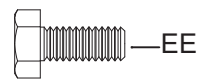
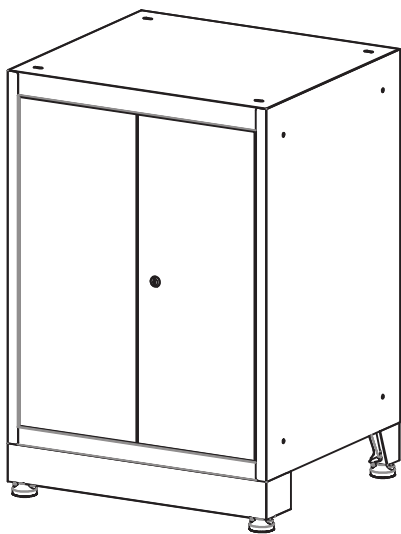
Park	Description	Quantity
A	Tall Cabinet	1
B	5 Drawer Cabinet	1
D	Wall Cabinet	1
G	Shelf	4

3PCS-2 Door Cabinet Package Contents



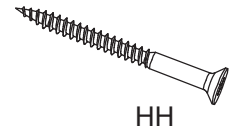
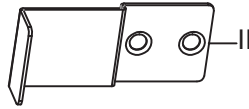
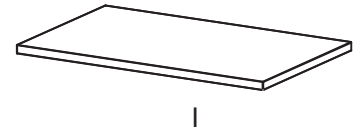
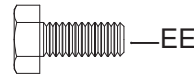
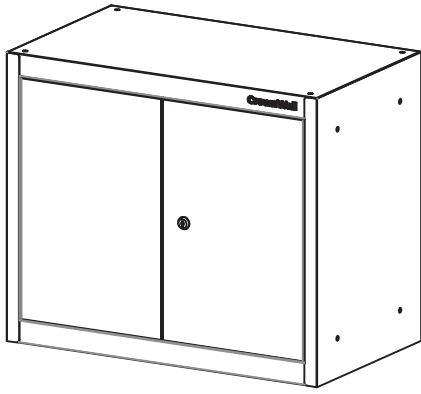
Park	Description	Quantily
A	Tall Cabinet	1
C	2 Door Cabinet	1
D	Wall Cabinet	1
G	Shelf	4

2 Door Cabinet Package Contents



Park	Description	Quantily
DD	Washer (1/4")	12
EE	Hex Bolt (1/4" x 5/8")	12
AA	Leveling Foot	4
BB	Shelf Clips	4
H	Shelf	1

Wall Cabinet Package Contents



Park	Description	Quantity
DD	Washer (1/4")	8
EE	Hex Bolt (1/4" x 5/8")	8
I	Shelf	1

Park	Description	Quantity
II	Wall Cabinet Bracket	2
GG	Plastic Anchor	4
HH	Drywall Screw(5/32"x2.3")	4

Work surface Package Contents



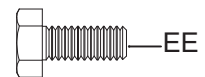
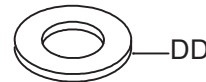
48 " Worksurface

OR

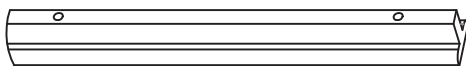


72 " Worksurface

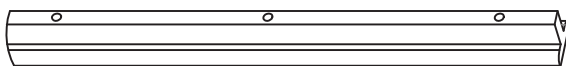
Park	Description	Quantity
DD	Washer (1/4")	8
EE	Hex Bolt (1/4" x 5/8")	8



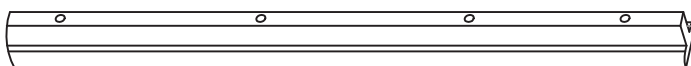
Handle Package Contents



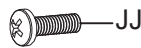
L=300mm Handle



L=500mm Handle



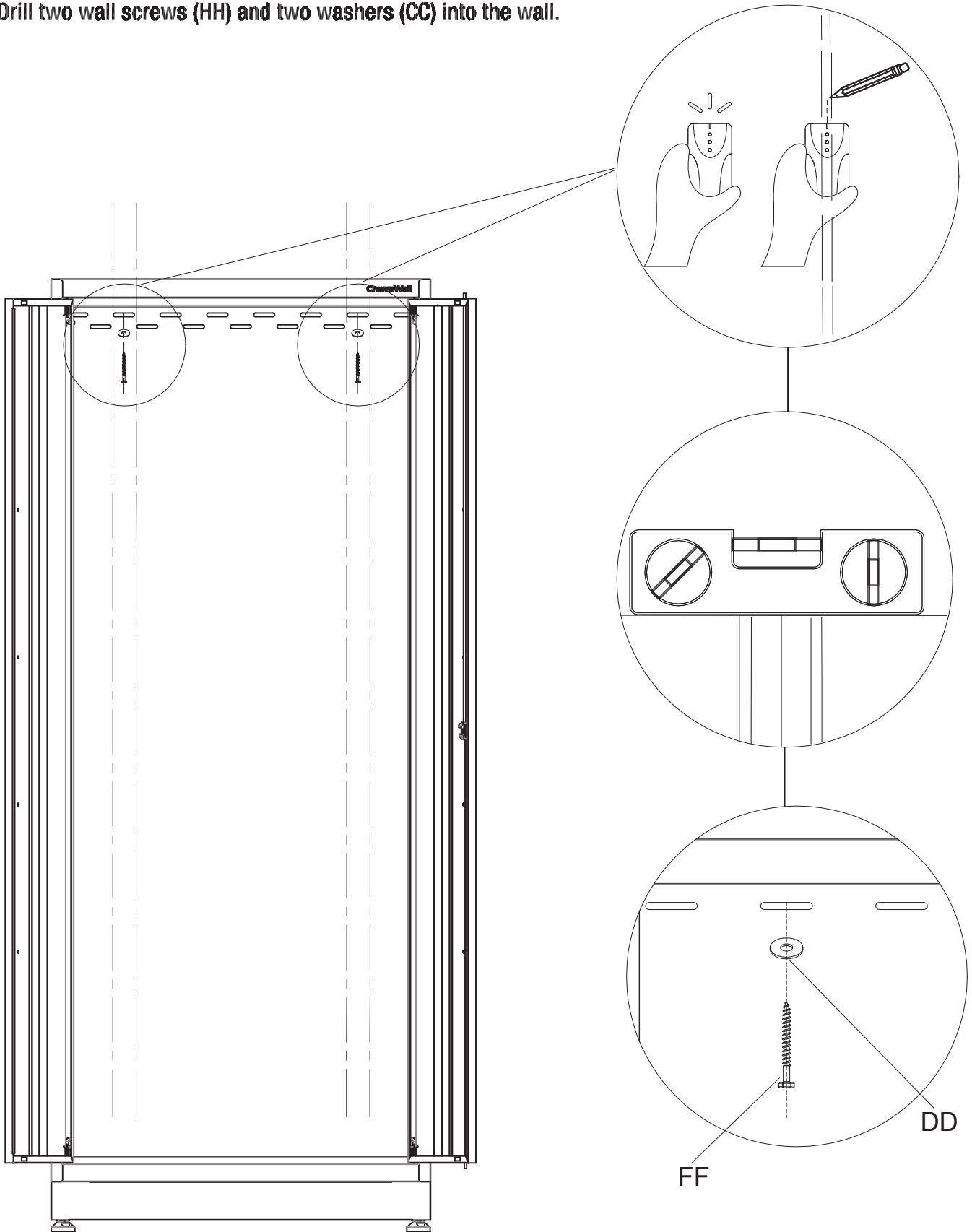
L=1000mm Handle



Park	Description	Quantity
CW-HS-B	L=300mm Handle	4
	L=500mm Handle	7
	L=1000mm Handle	4
	M4 x 15mm Handle Bolts	45
CW-H2D-B	L=500mm Handle	2
	M4 x 15mm Handle Bolts	6
CW-H2W-B	L=300mm Handle	2
	M4 x 15mm Handle Bolts	4

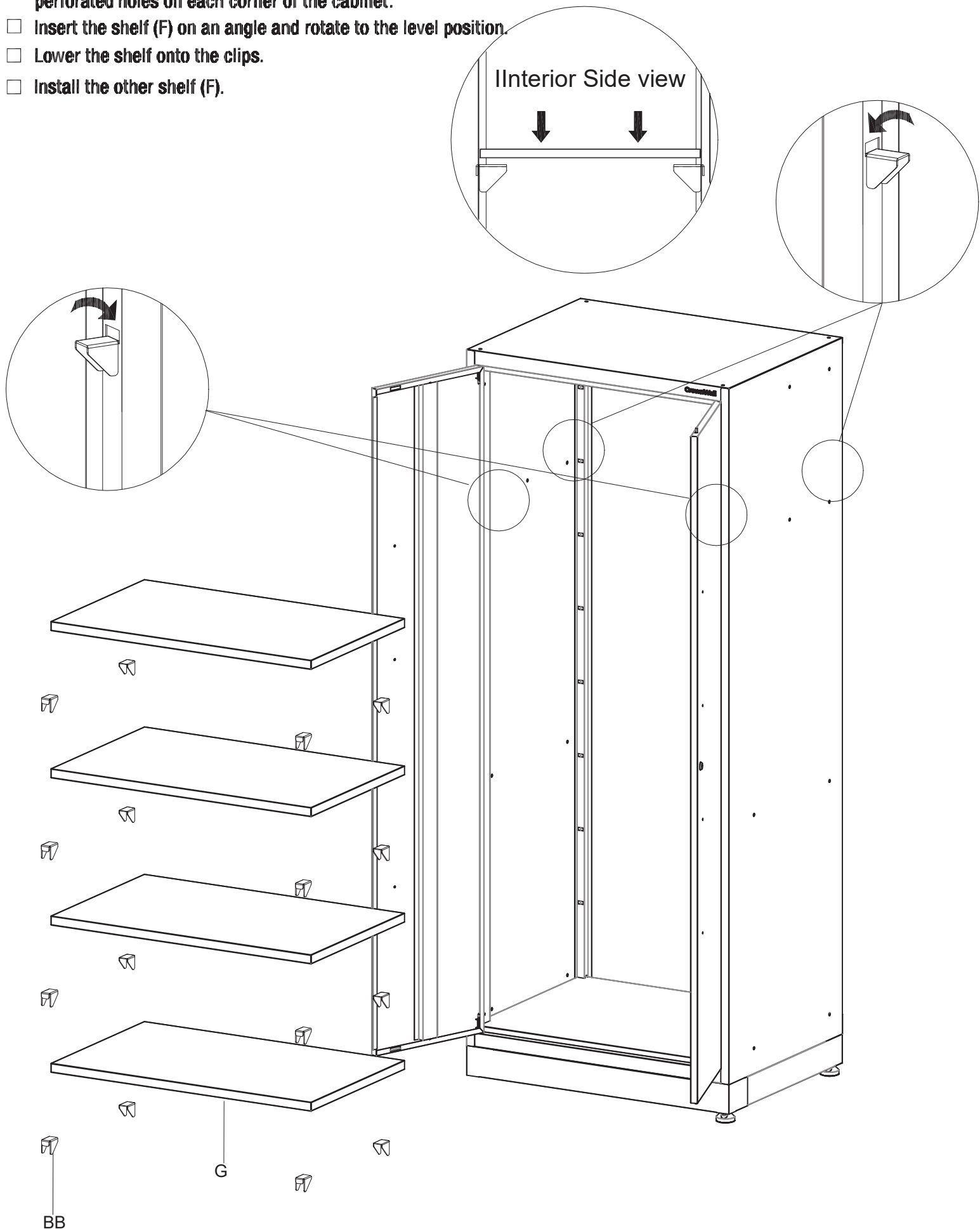
Mounting Cabinets (Drywall/Studded Wall)

- Use a stud finder to locate the studs and mark the wall with a pencil.
- Place the cabinet against the wall and align it to the stud marks.
- Level the cabinet. (Adjust the leveling feet when necessary.)
- Drill two wall screws (HH) and two washers (CC) into the wall.

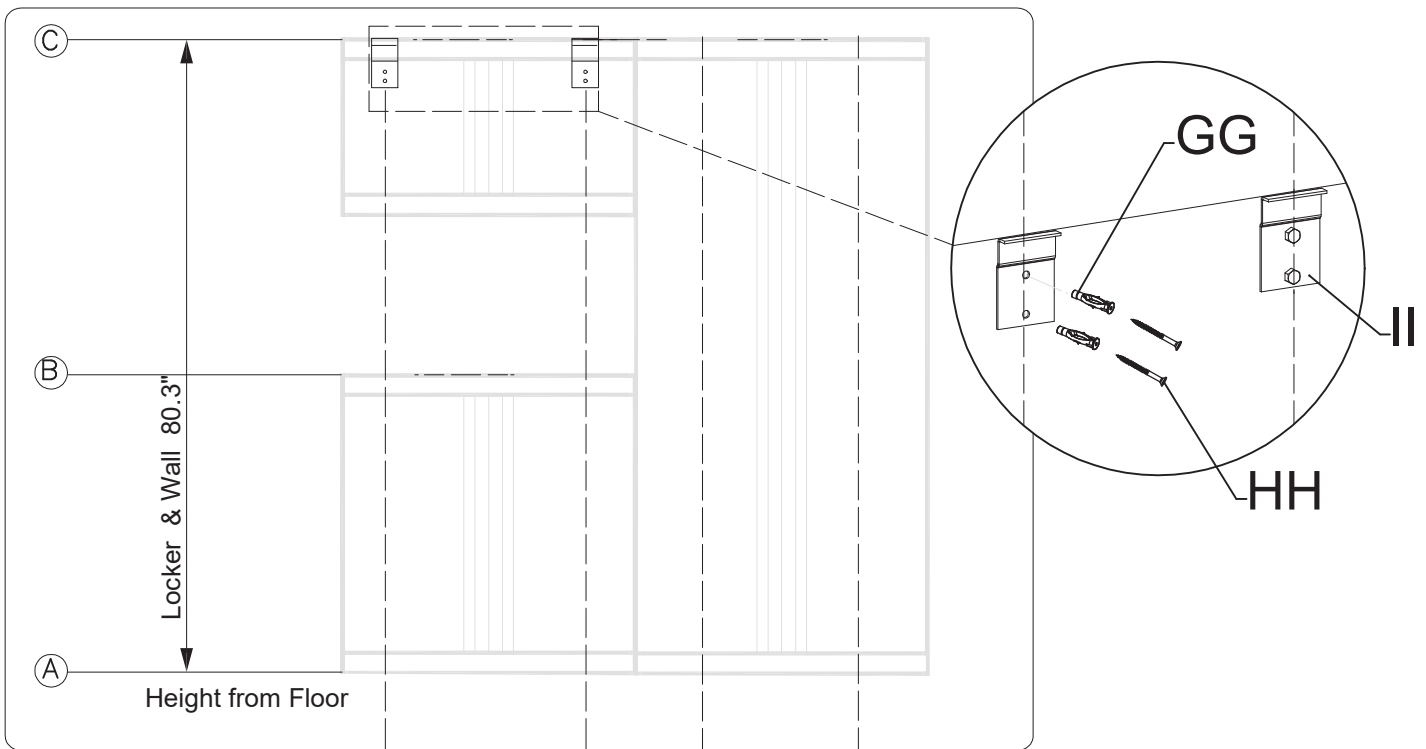


Installing the shelf

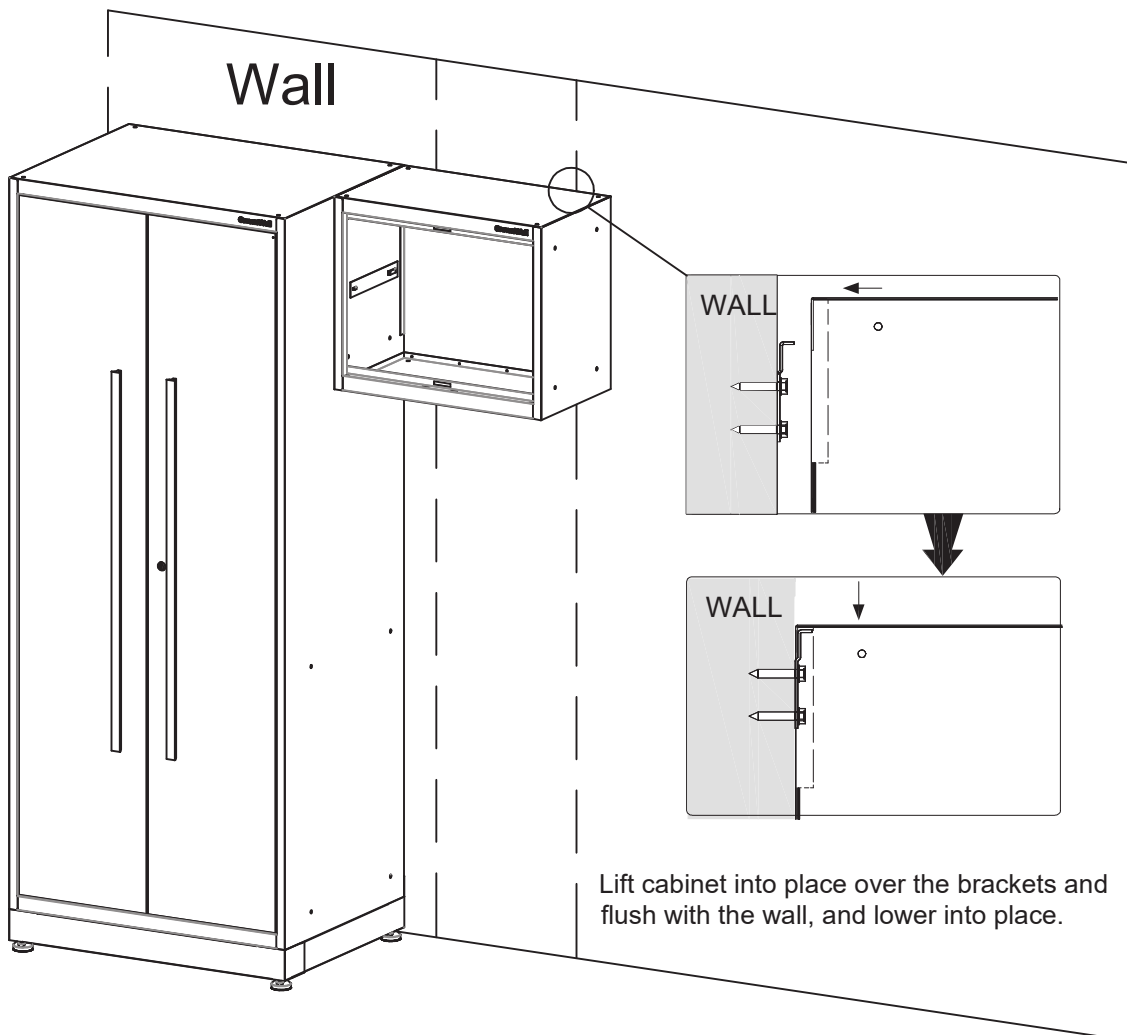
- Open the cabinet and insert the shelf clips (AA) into the perforated holes on each corner of the cabinet.
- Insert the shelf (F) on an angle and rotate to the level position.
- Lower the shelf onto the clips.
- Install the other shelf (F).



Hanging Cabinets on Studded Wall

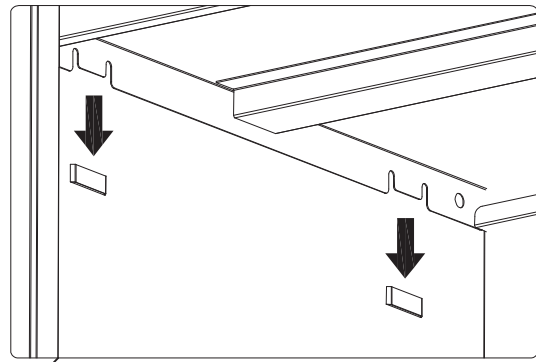


1. Locker: Measure 80.3" vertically from base line and mark at stud locations.
2. Wall cabinets: Measure 80.3" vertically from base line and mark at stud locations (if installing flush with top of locker).



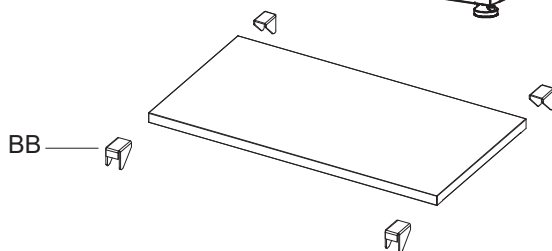
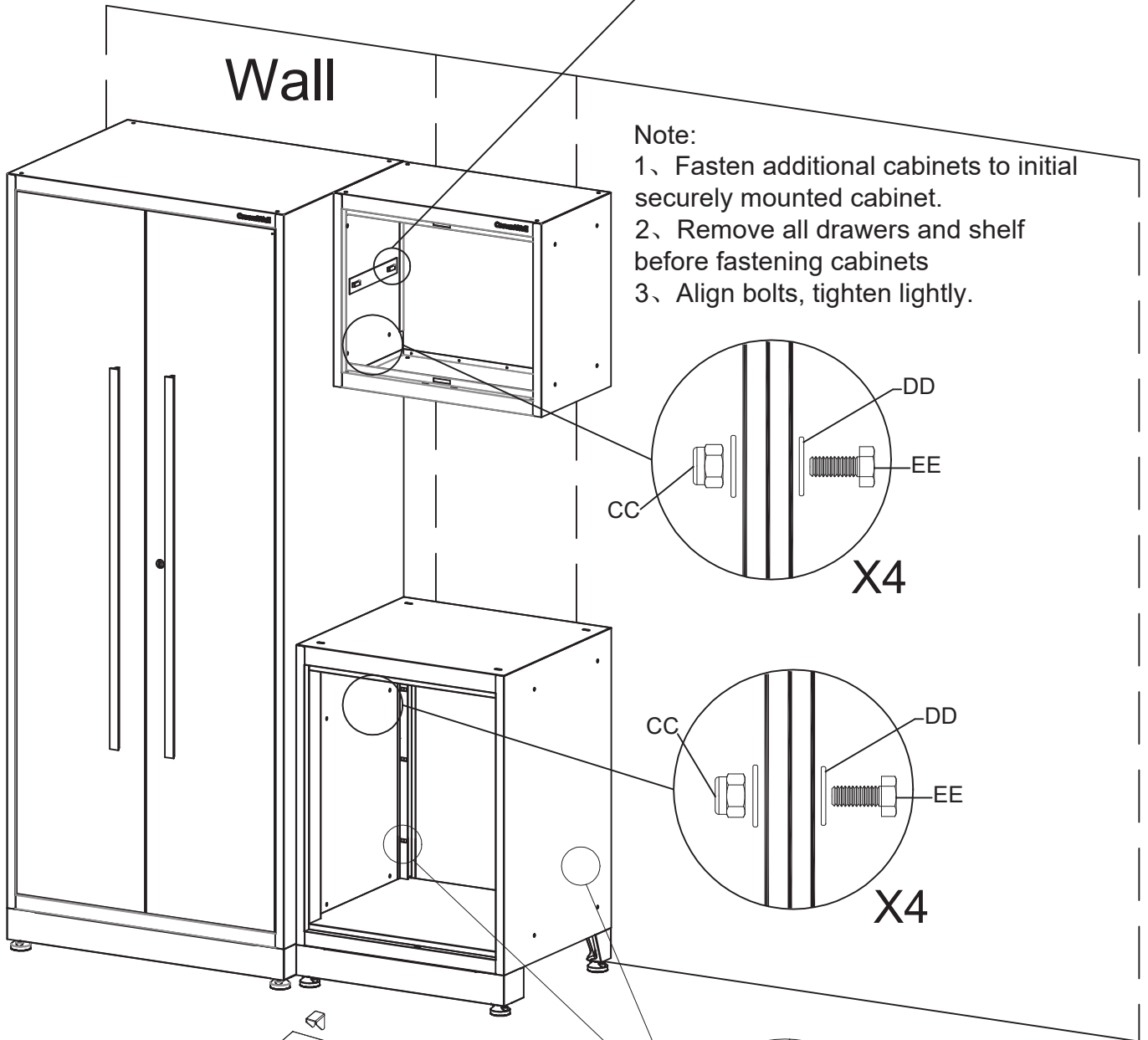
Fastening Cabinets

Lower shelf onto brackets by sliding tabs into slots.

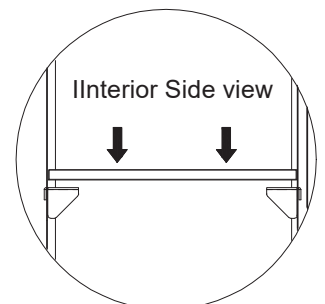
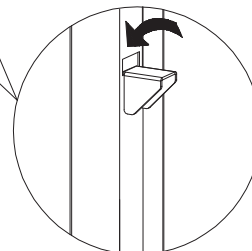


Wall

- Note:
- 1、 Fasten additional cabinets to initial securely mounted cabinet.
 - 2、 Remove all drawers and shelf before fastening cabinets
 - 3、 Align bolts, tighten lightly.



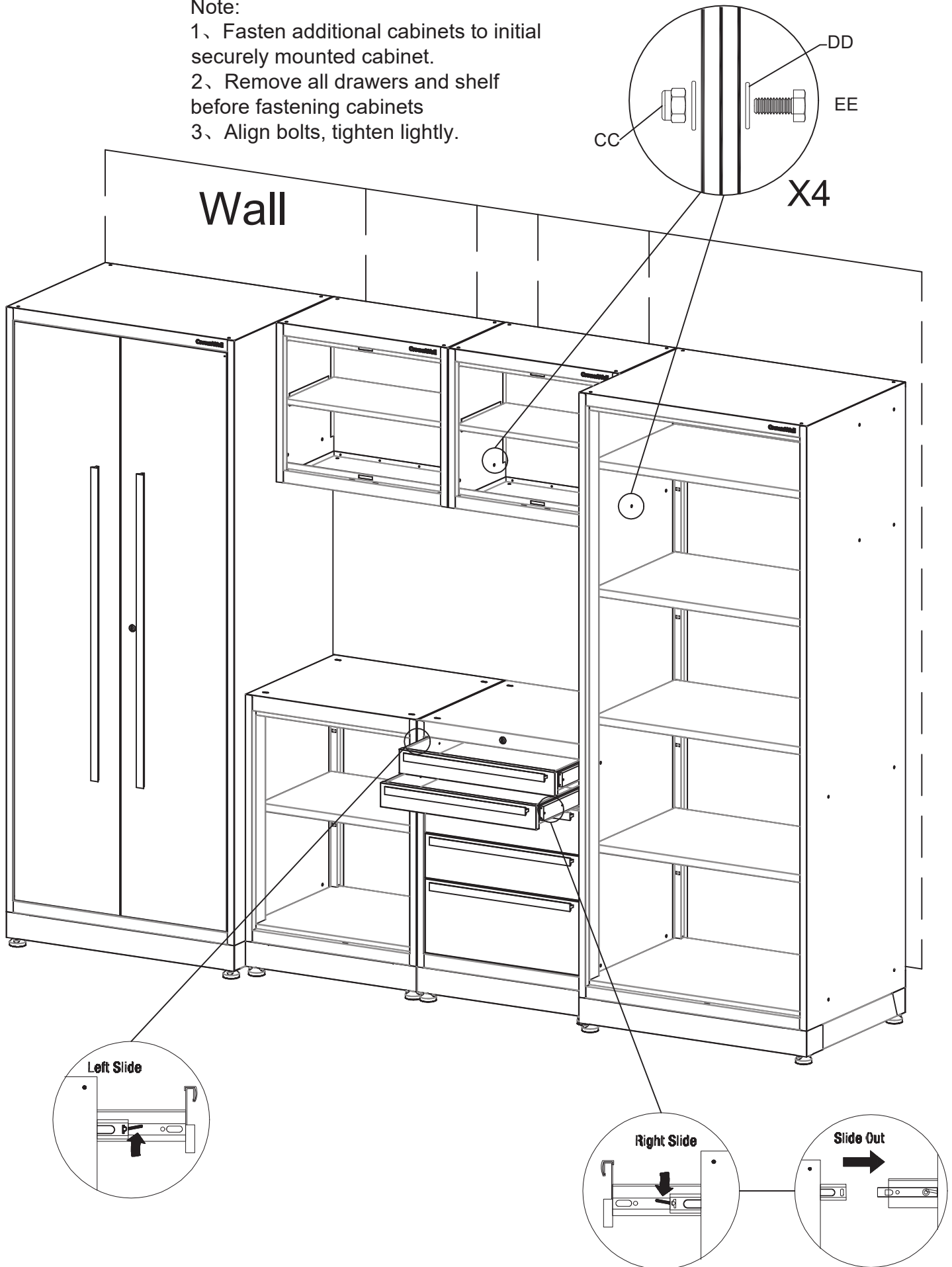
- Open the cabinet and insert the shelf clips (AA) into the perforated holes on each corner of the cabinet.
- Insert the shelf on an angle and rotate to the level position.
- Lower the shelf onto the clips.



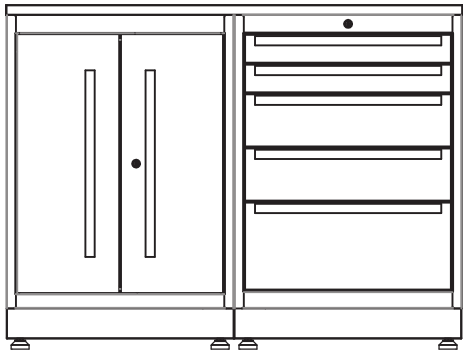
Fastening Cabinets

Note:

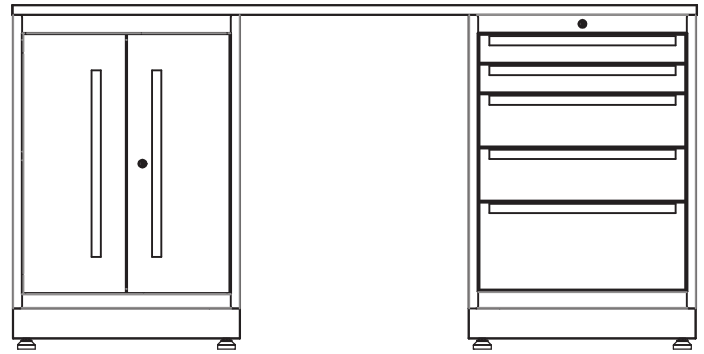
- 1、Fasten additional cabinets to initial securely mounted cabinet.
- 2、Remove all drawers and shelf before fastening cabinets
- 3、Align bolts, tighten lightly.



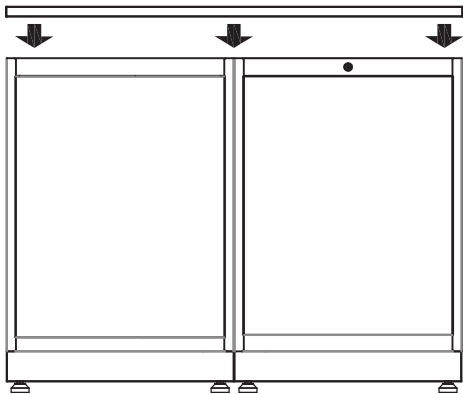
Mounting the Worktop (On 2 Cabinets)



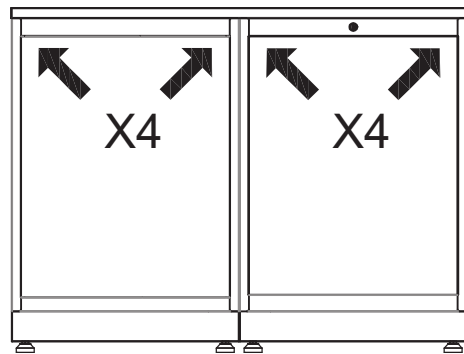
Option Installing the 48 " Worksurface



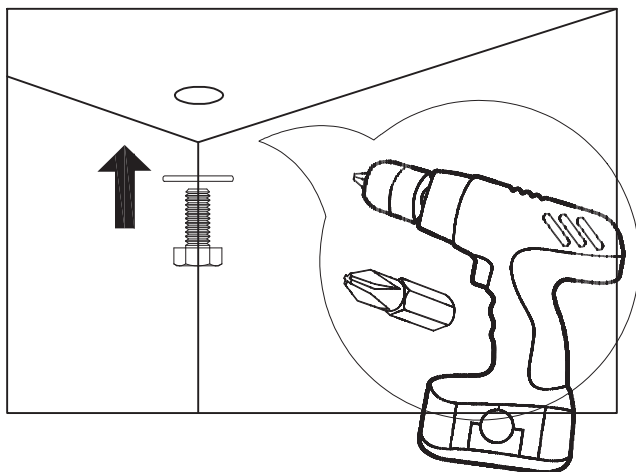
Option Installing the 72 " Worksurface



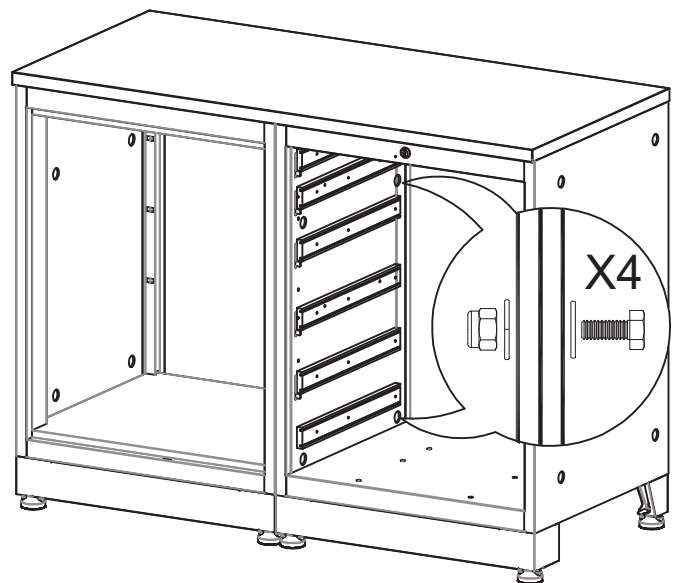
1、 Place worktop on cabinets.



2、 Locate 4 punch holes both sides.



3、 Drill into the worktop using the Hex Bolt (1/4" x 5/8")



Note:

- 1、 Remove all drawers and shelf before fastening cabinets
- 2、 Align bolts, tighten lightly.

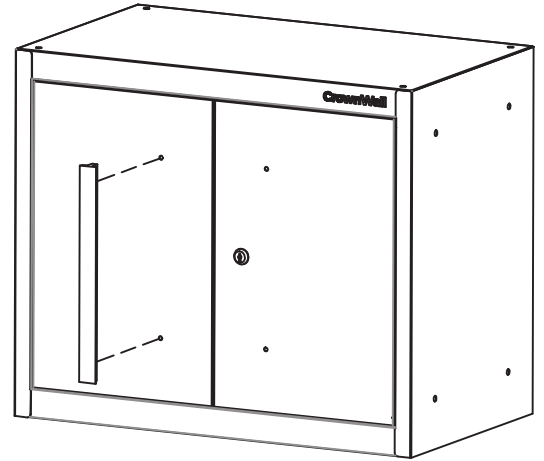
Installing Handles

Base Cabinet: 2 Handles and
(6) - M4 x 15mm Handle Bolts

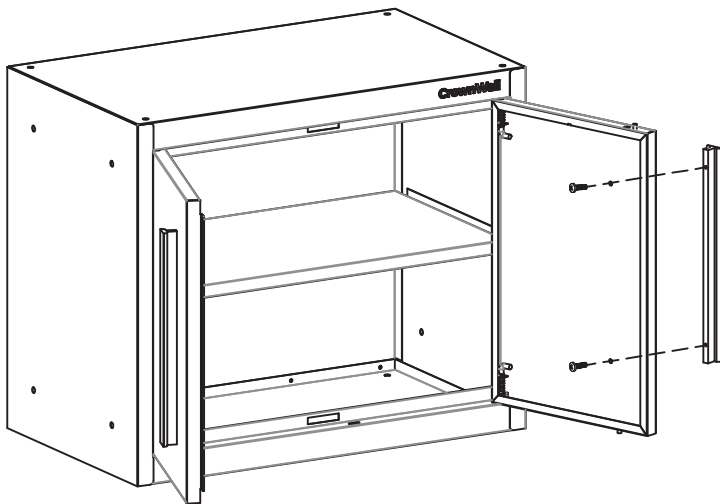
Locker: 2 Handles and
(8) - M6 x 15mm Handle Bolts

Tool Cabinet: 5 Handles
and (15) - M4 x 15mm Handle Bolts

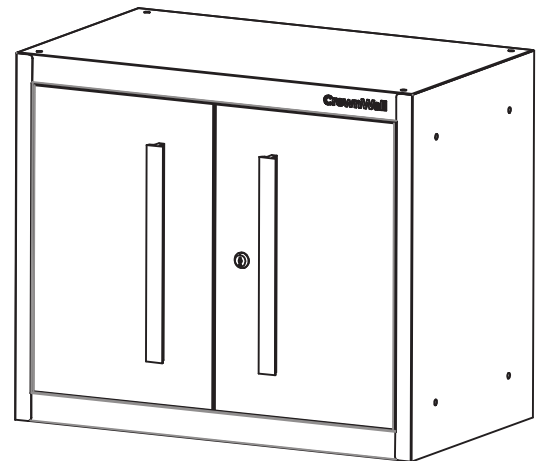
Wall Cabinet: 2 Handles and
(4) - M4 x 15mm Handle Bolts



Align Handle to holes
on doors or drawers.



Screw in bolts , tighten lightly.



IF YOU HAVE QUESTIONS PLEASE CONTACT
CUSTOMER SERVICE AT 1-866-291-6982
Monday to Friday 9:00am to 5:00pm EDT
or email info@garageroyalty.com